

HEX MAX. SIZE		R		C		W	
INCH	METRIC	INCH	MM	INCH	MM	INCH	MM
1-13/16	46	2.91	73.9	1.21	30.7	3.68	93.5

This drawing is the property of the UNEX Corporation and the information thereon is to be treated as confidential. It is not to be used, copied or disclosed to outside parties without our written consent.

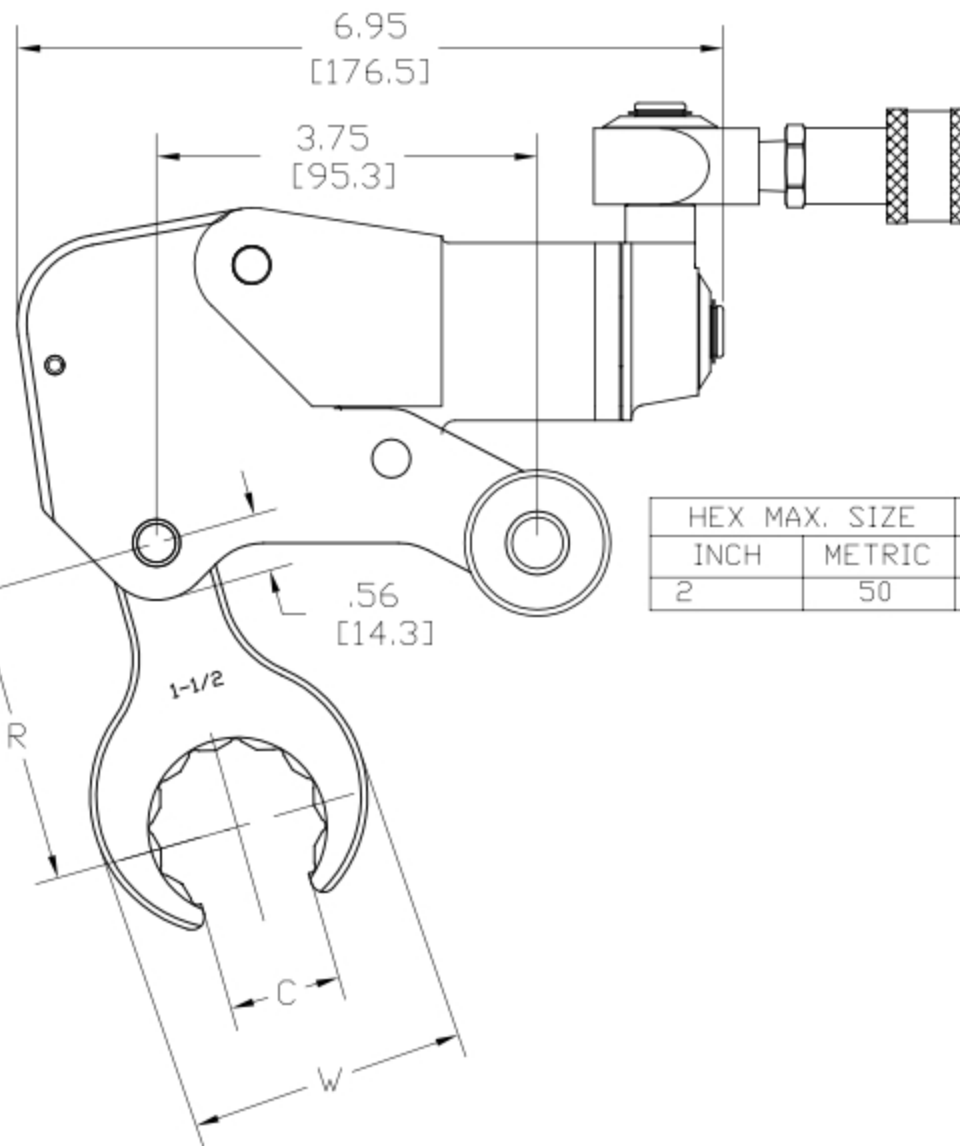
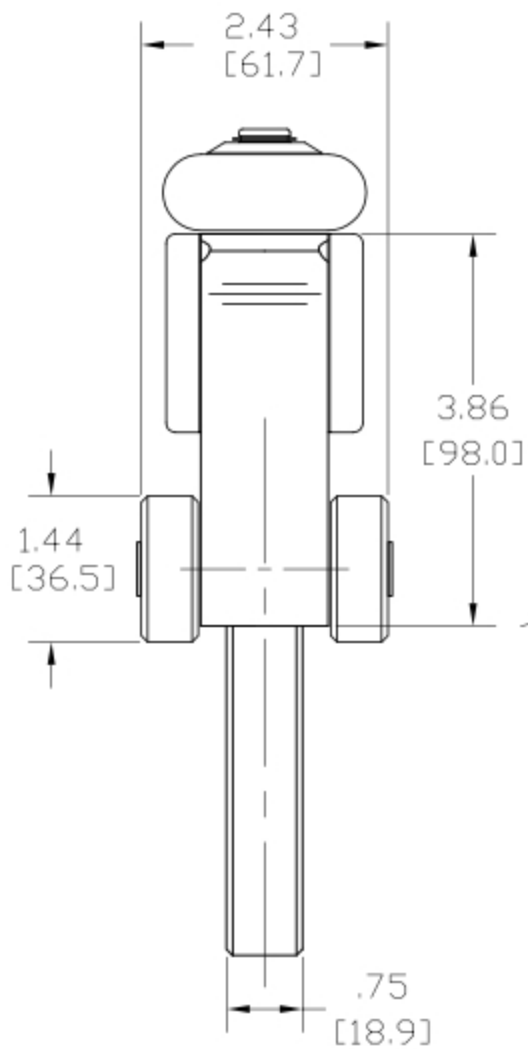
© COPYRIGHT 2006, UNEX CORP.

TITLE: 2XLCT AB OPEN SPANNER
113 DIMENSIONAL OUTLINE

HYTORC

DRAWN: CB DATE: _____

DWG. NO. 2XLCT-ABOSL-113-DIM CAD NO. 2XLCT-AB-DIM



HEX MAX. SIZE		R		C		W	
INCH	METRIC	INCH	MM	INCH	MM	INCH	MM
2	50	3.06	77.7	1.45	36.8	3.70	94.0

This drawing is the property of the UNEX Corporation and the information thereon is to be treated as confidential. It is not to be used, copied or disclosed to outside parties without our written consent.

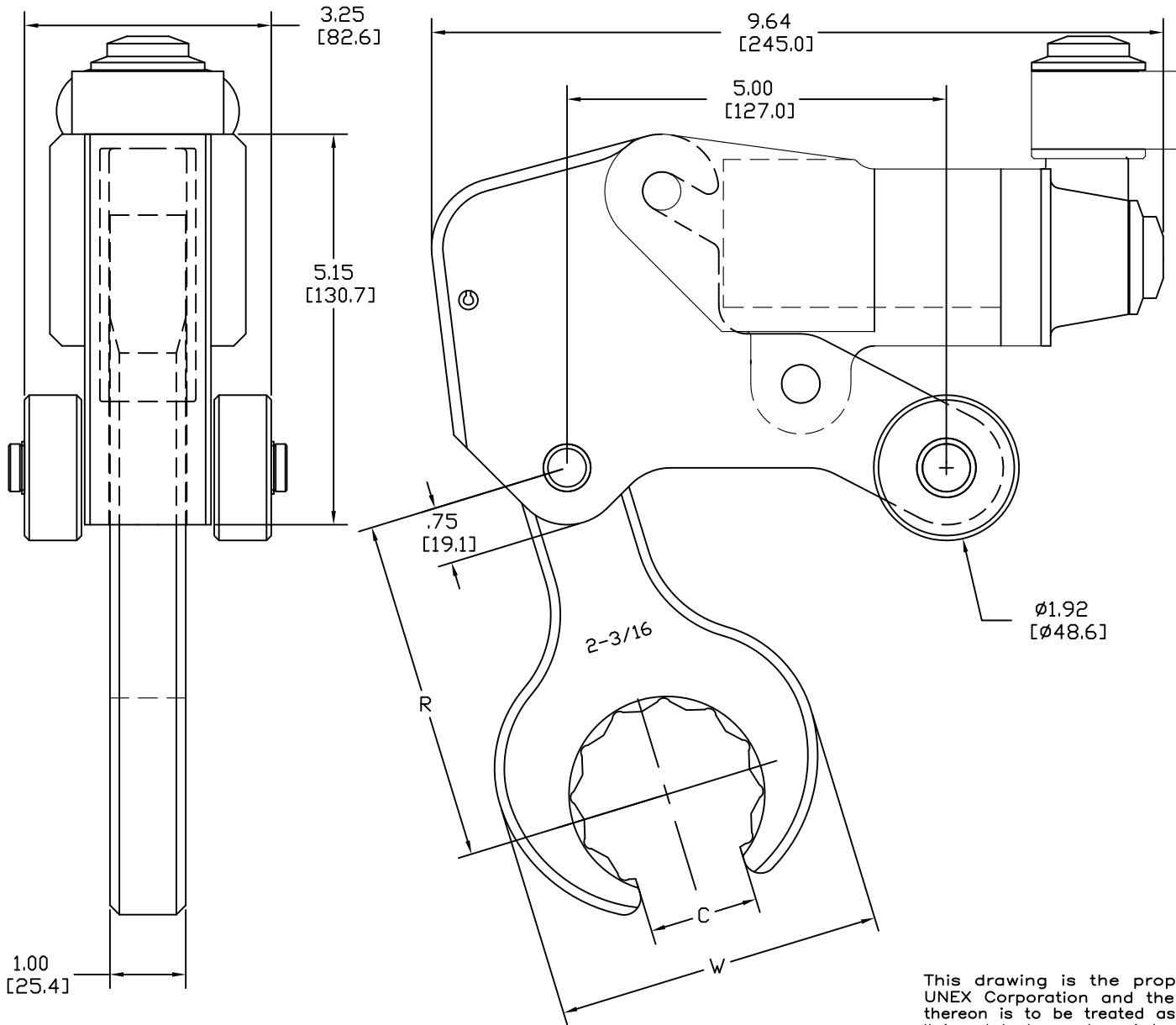
© COPYRIGHT 2006, UNEX CORP.

TITLE 2XLCT AB OPEN SPANNER
DIMENSIONAL OUTLINE

HYTORC

DRAWN: DM DATE: 1/27/11

DWG. NO. 2XLCT-ABOSL-DIM CAD NO. 2XLCT-AB-DIM



HEX	R		C		W	
METRIC	INCH	MM	INCH	MM	INCH	MM
36	3.50	88.9	.74	18.8	2.74	69.6
41	4.50	114.3	1.07	27.2	3.07	77.9
46	4.50	114.3	1.19	30.2	3.66	92.9
50	4.50	114.3	1.32	33.5	3.55	90.0
55	4.50	114.3	1.42	36.1	4.29	108.9
60	4.50	114.3	1.57	39.9	4.29	108.9
65	4.50	114.3	2.19	55.6	4.49	114
70	4.65	118.1	1.82	46.2	5.20	132.1
75	5.00	127	1.95	49.5	5.23	132.8
80	5.00	127	2.08	52.8	5.95	151.1

HEX	R		C		W	
INCH	INCH	MM	INCH	MM	INCH	MM
1-7/16	4.50	114.3	.95	24.1	2.90	73.7
1-5/8	4.50	114.3	1.07	27.2	3.07	77.9
1-13/16	4.50	114.3	1.19	30.2	3.66	92.9
1-7/8	4.50	114.3	1.23	31.2	3.55	90.2
2	4.50	114.3	1.32	33.5	3.55	90.2
2-3/16	4.50	114.3	1.44	36.5	4.29	108.9
2-1/4	4.50	114.3	1.57	39.9	4.29	108.9
2-3/8	4.50	114.3	1.57	39.9	4.29	108.9
2-9/16	4.50	114.3	1.68	42.6	4.50	114.3
2-5/8	4.50	114.3	1.72	43.7	5.05	128.3
2-3/4	4.50	114.3	1.80	45.7	5.05	128.3
2-15/16	5.00	127	1.95	49.5	5.23	132.8
3-1/8	5.00	127	2.08	52.8	5.95	151.1

© COPYRIGHT 2006, UNEX CORP.

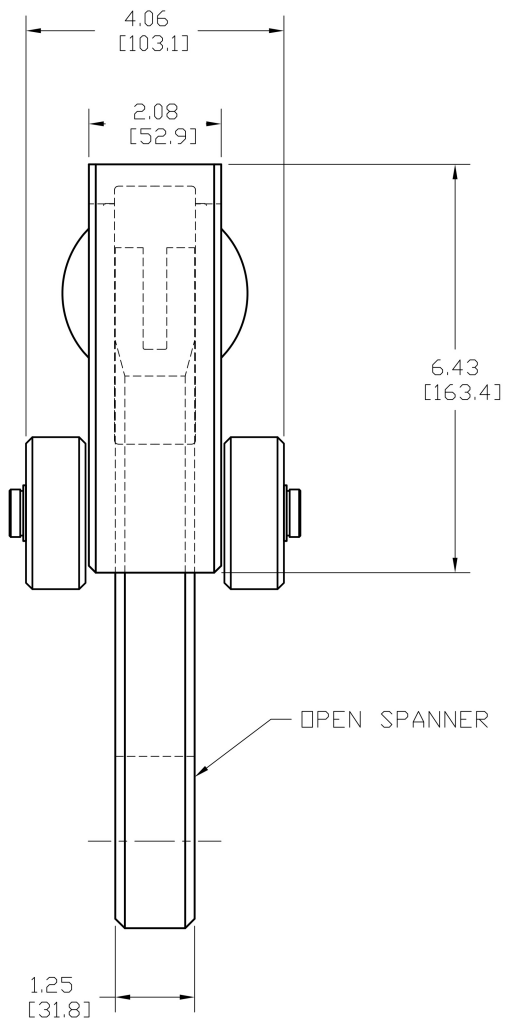
TITLE: 4XLCT AB OPEN SPANNER
DIMENSIONAL OUTLINE

HYTORC

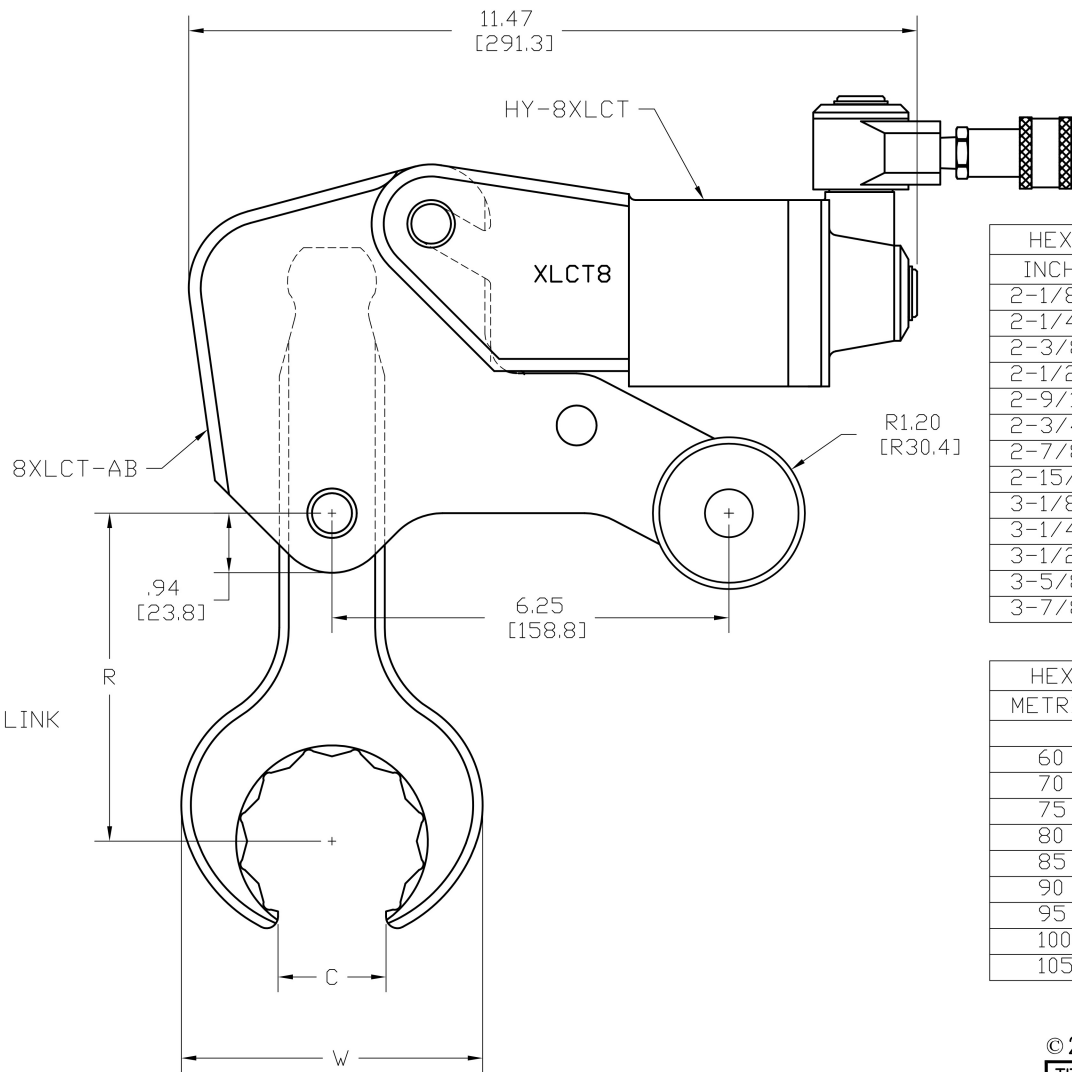
DRAWN: D.M. DATE: 2/11/11

DWG. NO. 4XLCT-ABOSL-DIM CAD NO. 4XLCT-AB-DIM

This drawing is the property of the UNEX Corporation and the information thereon is to be treated as confidential. It is not to be used, copied or disclosed to outside parties without our written consent.



OPEN SPANNER LINK



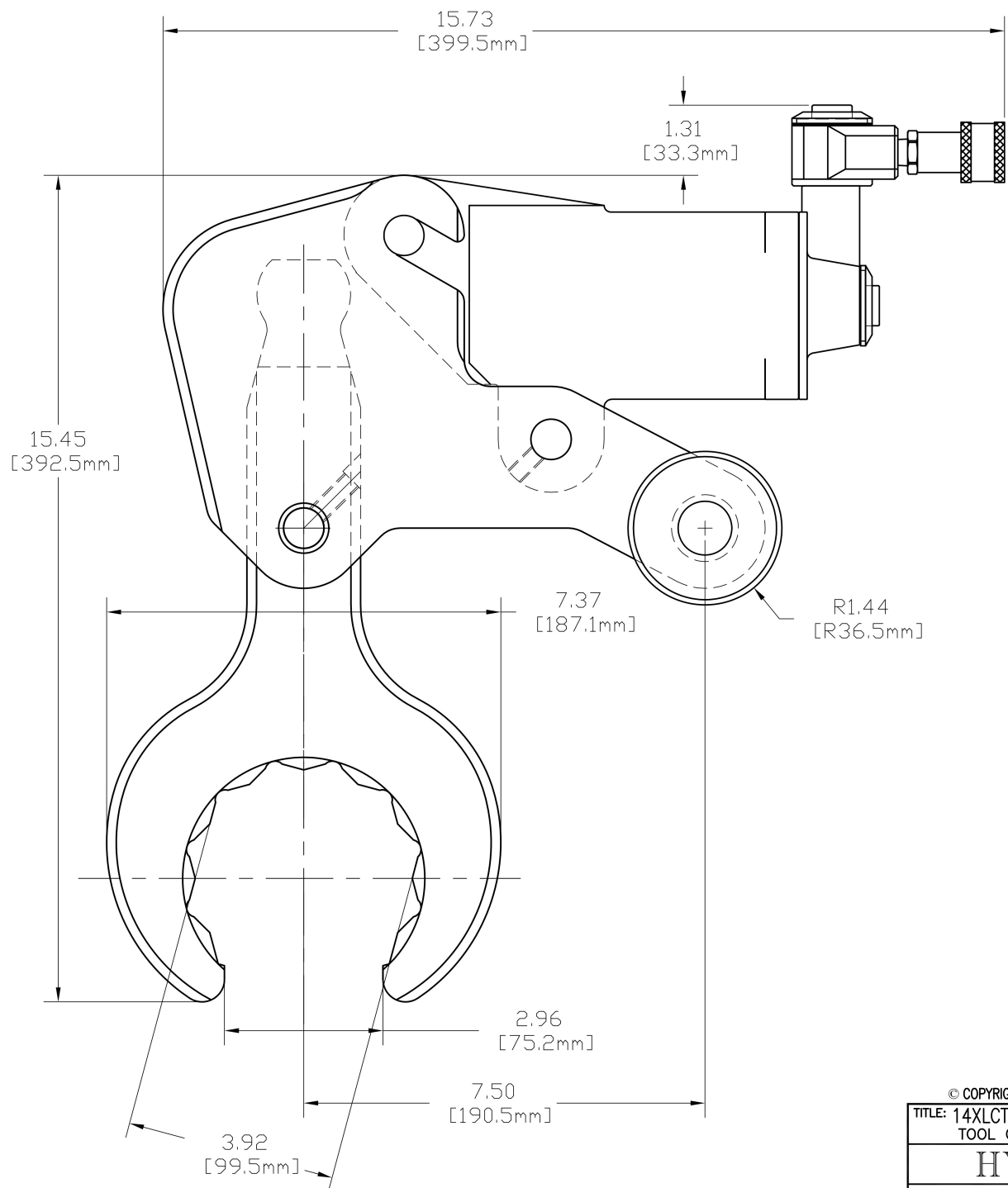
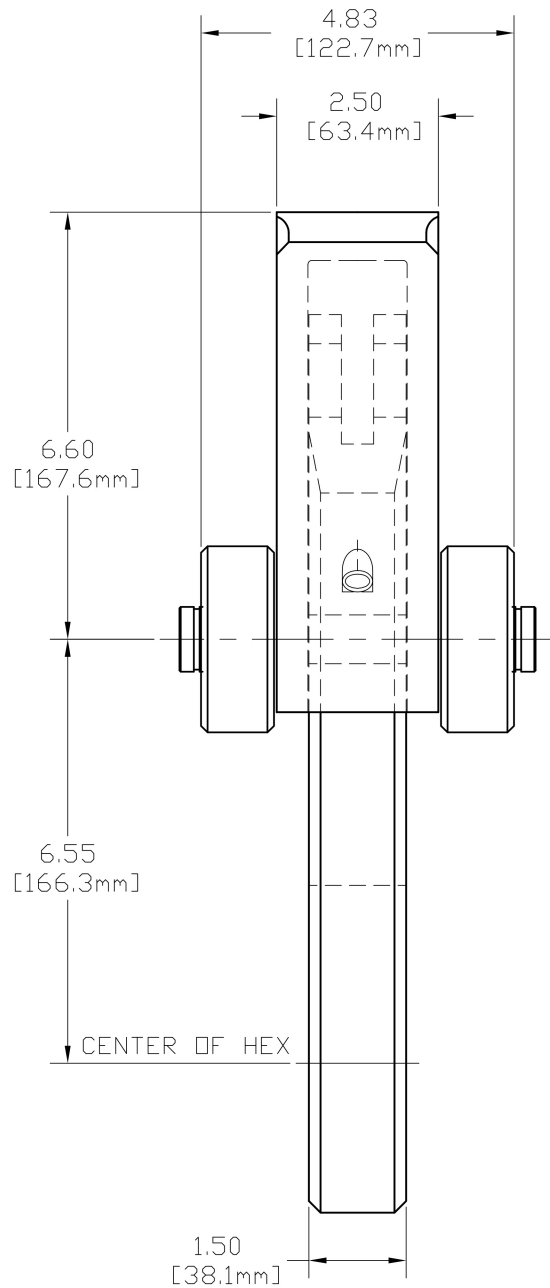
HEX	R		C		W	
INCH	INCH	MM	INCH	MM	INCH	MM
2-1/8	5.71	145.0	1.40	35.5	4.25	107.9
2-1/4	5.17	131.3	1.57	39.9	4.74	120.4
2-3/8	5.17	131.3	1.57	39.9	4.74	120.4
2-1/2	5.17	131.3	1.66	42.1	4.74	120.4
2-9/16	5.17	131.3	1.70	43.2	4.74	120.4
2-3/4	5.25	133.3	1.84	46.7	5.26	133.6
2-7/8	5.29	134.3	1.92	48.7	5.75	146.0
2-15/16	5.29	134.3	1.92	48.7	5.75	146.0
3-1/8	5.50	139.7	1.97	50.0	5.93	150.6
3-1/4	5.50	139.7	2.14	54.3	6.43	163.3
3-1/2	5.50	139.7	2.36	59.9	6.43	163.3
3-5/8	5.50	139.7	2.40	60.9	6.57	166.8
3-7/8	5.50	139.7	2.56	65.0	7.01	178.0

HEX	R		C		W	
METRIC	INCH	MM	INCH	MM	INCH	MM
60	5.17	131.3	1.54	39.1	4.74	120.4
70	5.25	133.3	1.84	46.7	5.26	133.6
75	5.29	134.3	1.96	49.7	5.75	146.0
80	5.29	134.3	2.10	53.3	6.01	152.6
85	5.30	134.6	2.29	58.1	6.38	162.0
90	5.50	139.7	2.42	61.5	6.43	163.3
95	5.53	140.4	2.57	65.3	6.79	172.4
100	5.50	139.7	2.57	65.3	7.01	178.0
105	5.85	148.6	2.72	69.1	7.44	188.9

This drawing is the property of the UNEX Corporation and the information thereon is to be treated as confidential. It is not to be used, copied or disclosed to outside parties without our written consent.

© 2008, HYTORC, DIV. UNEX CORPORATION

TITLE: 8XLCT AB OUTLINE OPEN SPANNER LINK	
HYTORC <i>Since 1968</i>	
DRAWN: D.M.	DATE: 9/6/11
DWG. NO. 8XLCT-ABOSL-DIM	CAD NO. 8XLCT-ABSL-DIM



This drawing is the property of the UNEX Corporation and the information thereon is to be treated as confidential. It is not to be used, copied or disclosed to outside parties without our written consent.

© COPYRIGHT 2006, UNEX CORP.

TITLE: 14XLCT AB OPEN SPANNER
TOOL OUTLINE - 314 LINK

HYTORC

DRAWN: CB DATE: 7/25/17

DWG. NO. 14XLCT-ABM314-OS-DIM CAD NO. 14XLCT-AB314-OS-DIM